

Hay Fork Wheel Loader



Website

<http://www.semmachinery.com>

 **SEM**
A Caterpillar Brand

Wheel Loader

Tool Introduction

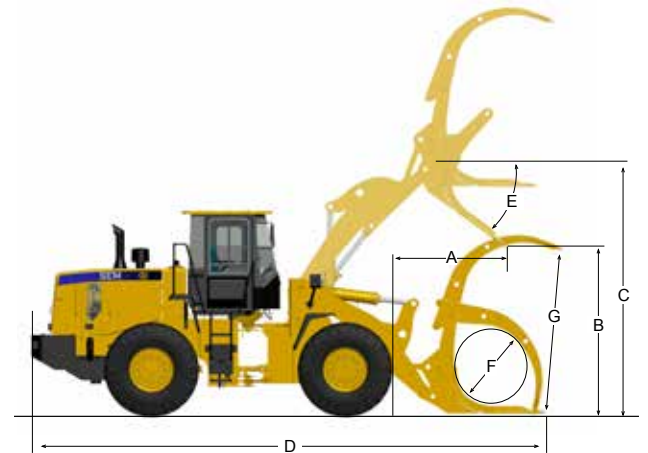
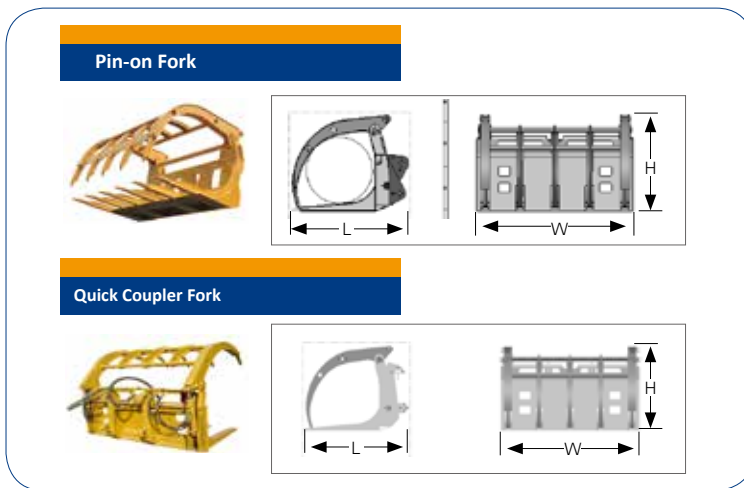
Hay fork uses multi-tooth and corresponding structure design, which is mainly used for loading and unloading of lighter biomass materials. The fork passes through finite element analysis and actual application verification, which delivers big load capacity and high reliability.

Categories

2 Types: Pin-on and Quick Coupler connections

Recommended Applications

Hay fork is mainly used for grabbing, loading/unloading, transporting raw materials, such as straws, tree branches, tree barks. It can be used in paper mill, biomass power plant and other jobsites.



Assembly Requirements

Hydraulic System – 3rd Function

Quick Coupler Fork is available (Models as below)

			616B	618B	630B	636B	638	639B	639C	655D	656D	658C	659C
Hay fork	A	Dump Reach (mm)	NA	1,240	1,850	1,850	1,850	1,850	1,850	1,810	1,810	1,810	1,810
	B	Dump Height (mm)	NA	2,560	2,690	2,690	2,690	2,690	2,690	2,700	2,700	2,700	2,700
	C	B-Pin Height (mm)	NA	3,470	3,910	3,910	3,910	3,910	3,910	4,162	4,162	4,162	4,162
	D	Machine Length (mm)	NA	6,100	7,740	7,790	7,790	7,790	7,790	8,610	8,710	8,710	8,710
	E	Dump Angle (°)	NA	37	35	35	35	35	35	40	40	40	40
	F	Min. Circle Diameter (mm)	780	770	1,260	1,260	1,260	1,260	1,260	1,320	1,320	1,320	1,320
	G	Max. Opening (mm)	1,650	1,650	2,830	2,830	2,830	2,830	2,830	3,000	3,000	3,000	3,000
	W	Tool Width (mm)	1,790	1,790	2,400	2,400	2,400	2,400	2,400	2,960	2,960	2,960	2,960
	L	Tool Length (mm)	1,320	1,250	2,070	2,070	2,070	2,070	2,070	2,110	2,110	2,110	2,110
	H	Tool Height (mm)	1,090	1,090	1,650	1,650	1,650	1,650	1,650	1,970	1,970	1,970	1,970
		Tool Weight (kg)	610	620	1,700	1,700	1,700	1,700	1,700	2,640	2,640	2,640	2,640
Quick Coupler Hay Fork	A	Dump Reach (mm)	850	870	1,420	1,420	1,420	1,420	1,420	-	-	-	-
	B	Dump Height (mm)	1,887	2,210	2,160	2,160	2,160	2,160	2,160	-	-	-	-
	C	B-Pin Height (mm)	3,151	3,470	3,910	3,910	3,910	3,910	3,910	-	-	-	-
	D	Machine Length (mm)	5,750	6,180	7,760	7,810	7,810	7,810	7,810	-	-	-	-
	E	Dump Angle (°)	60	60	56	56	56	56	56	-	-	-	-
	F	Min. Circle Diameter (mm)	800	800	NA	NA	NA	NA	NA	-	-	-	-
	G	Max. Opening (mm)	1,600	1,600	2,900	2,900	2,900	2,900	2,900	-	-	-	-
	W	Tool Width (mm)	1,790	1,790	2,400	2,400	2,400	2,400	2,400	-	-	-	-
	L	Tool Length (mm)	1,280	1,280	1,850	1,850	1,850	1,850	1,850	-	-	-	-
	H	Tool Height (mm)	1,050	1,050	1,580	1,580	1,580	1,580	1,580	-	-	-	-
		Tool Weight (kg)	600	600	1,610	1,610	1,610	1,610	-	-	-	-	

Dealer Profile

Materials and specifications are subject to change without notice. Featured machines in photos may include optional equipment. Check with your local SEM dealer for available options.

©2016 Caterpillar (Qingzhou) Ltd. SEM, its respective logos, trade dress as well as corporate and product identity used herein, are trademarks of Caterpillar (Qingzhou) Ltd. and may not be used without permission.

All rights are reserved.

Version: August 2016